


**TANlock**

- Easy integration in existing IT-infrastructures
- Interchangeable authentication modules (TAM)
- Power supply over PoE (Power over Ethernet)
- No additional software necessary, due to the use of standards (TCP/IP, LDAP, MS Active Directory, SNMP, OSS, SysLog, Webservice)
- Configurable security through VLANs
- Remote access on TANlock
- Easy set up – no additional hardware required
- Storage of up to 10000 users Housing made of high-quality die-cast zinc
- Elegant design
- High quality powder coating
- Compatible on right and left attached doors
- Optional IP 54/65
- HTTPS



**TAM (Authentication modules)**

RFID	
	RFID 13,56 MHz Legic Mifare Desfire EV1, EV2 HID iClass BLE (Bluetooth Low Energy)

### PIN + RFID



PIN Module  
RFID 13,56 MHz (Two-factor)  
Legic  
Mifare Desfire EV1, EV2  
HID iClass  
BLE (Bluetooth Low Energy)

### Fingerprint + RFID



Two-factor authentication via finger print or RFID (13.56 MHz) possible  
Legic Advant, HID iCLASS, Mifare Desfire EV1, EV2  
BLE (Bluetooth Low Energy)

### Handvenenscan



Highest security level through recognition of the palm veins via PalmSecure

### Touch Display + RFID



Authentication by input on the touch display or via RFID (13.56 MHz)  
Legic Advant, HID iCLASS, Mifare Desfire EV1, EV2  
BLE (Bluetooth Low Energy)  
Configurable display

#### **Integrated authentication possibilities**

- Locally stored users / TANs
- LDAP (one- and two-level inquiries)

#### **Integrated surveillance possibilities**

- Connection to existing SysLog server for logging status messages
- Network management with SNMP for monitoring the locks as well as error detection and error transmission
- CAN bus connection for sensors like temperature, humidity, air pressure etc.

#### **Expandability**

- Usage of WebAPI
- Usage of RESTfulAPI

#### **Adaptability RESTfulAPI and WebAPI**

- Local user management
- Analyzing local log files
- Checking the current lock status

#### **Local features**

- Creation of local user logs (approx. 30,000 rotating logbook entries)
- Configuration option for activating/deactivating individual interfaces
- Firmware update via programming adapter or - if activated - RJ45 connector
- DHCP (Dynamic Host Configuration Protocol) or fixed IP assignment
- Integrated switch for IP addressing of base board and authentication module

#### **Conditions**

- Power supply over PoE injector or PoE capable switch
- Requirements for PoE Switch: IEEE 802.3af-2003 / electrically isolated, power class 0

**Installation**

To mount TANlock, the following stamp-outs in the cabinet door are necessary.

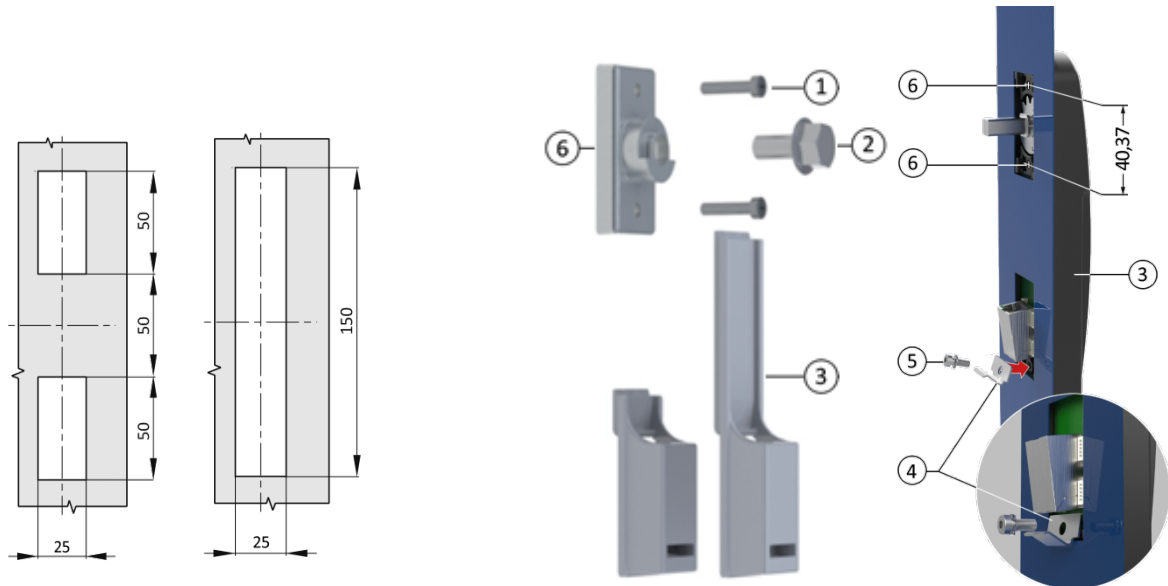


Figure 1: Stamp-outs in Cabinet door (short or long)

Figure 2: Installation and assembly of TANlock

- Pos. 1      Phillips-screw (M4x25 oder M4x18)
- Pos. 2      Fixing screw
- Pos. 3      Cap long/short
- Pos. 4      Bracket
- Pos. 5      Fixing screw for bracket
- Pos. 6      Lock housing

Contact:

**FATH** Mechatronics GmbH  
Gewerbepark Hügelmühle 31  
91174 Spalt  
Germany

T +49(0)9175 7909-152

[www.tanlock.com](http://www.tanlock.com)  
[info@tanlock.com](mailto:info@tanlock.com)